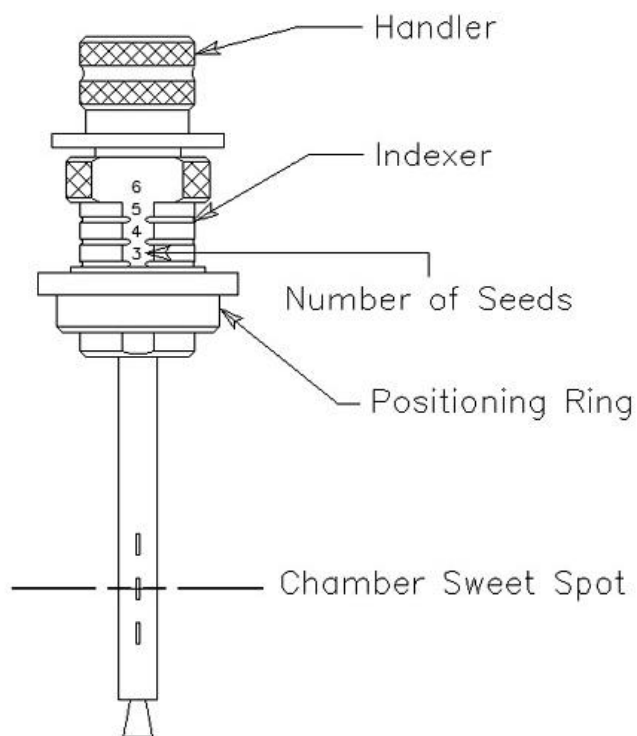




BARD EXPRESS SEEDING CARTRIDGE

A convenient way to perform quality assurance measurements of loaded BARD EXPRESS Seeding Cartridges under sterile conditions



The Standard Imaging Source Holder, REF 70032, positions the BARD EXPRESS Seeding Cartridges at the most sensitive position of the HDR 1000 Plus Well Chamber. The source holder accommodates BARD EXPRESS Seeding Cartridges with any number of seeds.

- Quality Assurance measurements within 5% of calibrated seeds
- Measurement reproducibility better than 1%
- No rotational dependence
- A quick calculation provides the average seed activity

The BARD EXPRESS Seeding Cartridge Source Holder is designed for QA measurements of palladium seeds prior to use. When used with the Standard Imaging HDR 1000 Plus Well Chamber, this holder provides a check of the relative activity of the seed held within a BARD EXPRESS Seeding Cartridge. In addition, the Holder can be gas sterilized or steam sterilized (autoclaved).

© Elimpex-Medizintechnik, Spechtgasse 32, A-2340 Moedling, Austria
phone +43-2236-410450
fax +43-2236-410459

